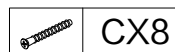
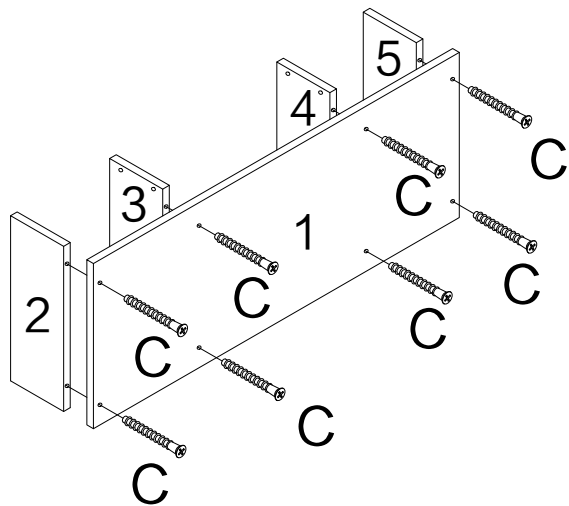


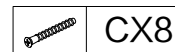
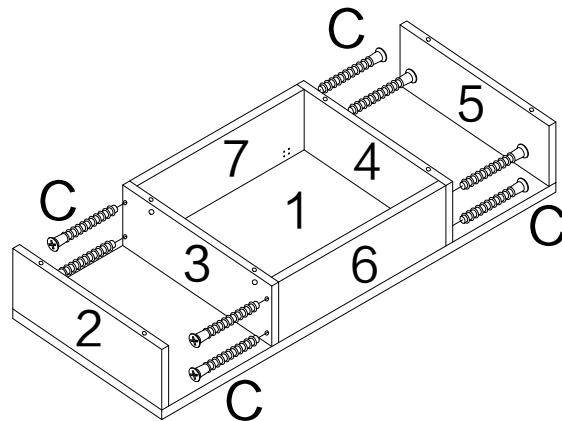
230-000049

1 X1	2 X1	3 X1	4 X1	5 X1	6 X1	7 X1
8 X2	9 X2	10 X1	11 X1	12 X1	A X8	B X8
C (6.3X50) X24	D X6	E X1	F X40	G X4	H X1	

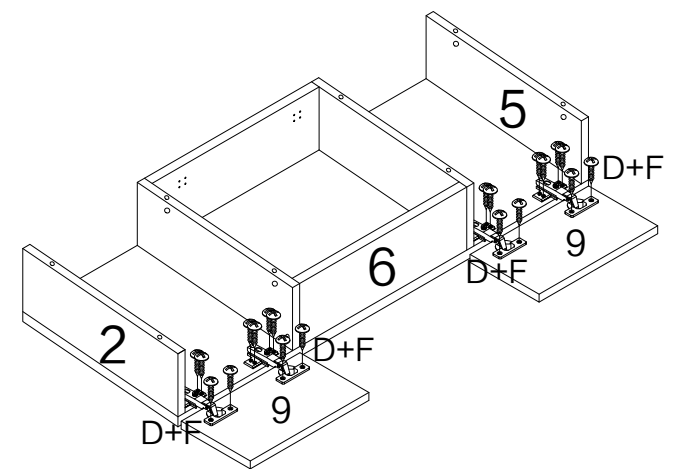
Step 1



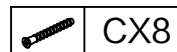
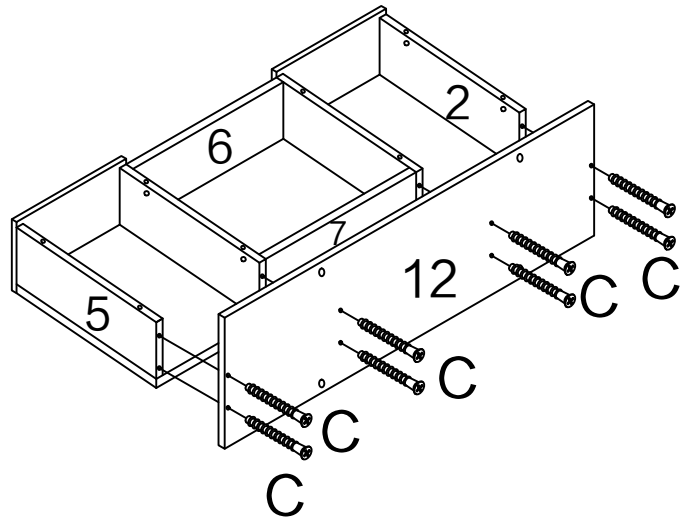
Step 2



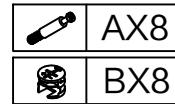
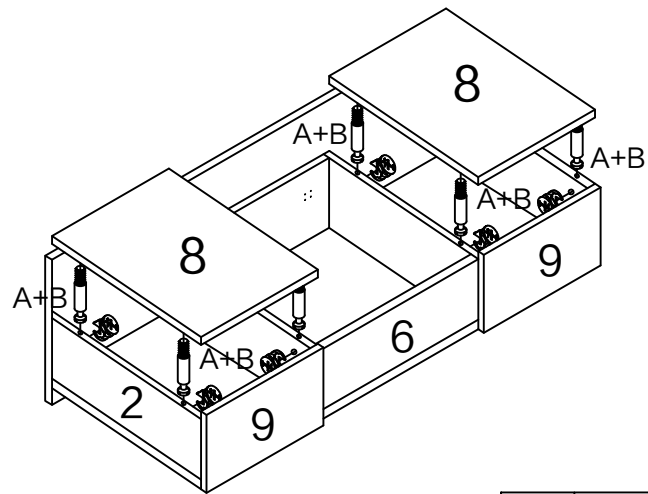
Step 3



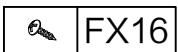
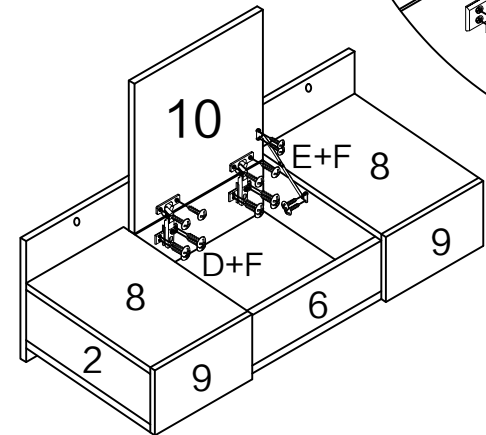
Step 4



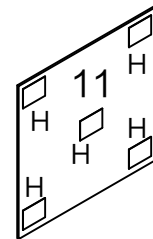
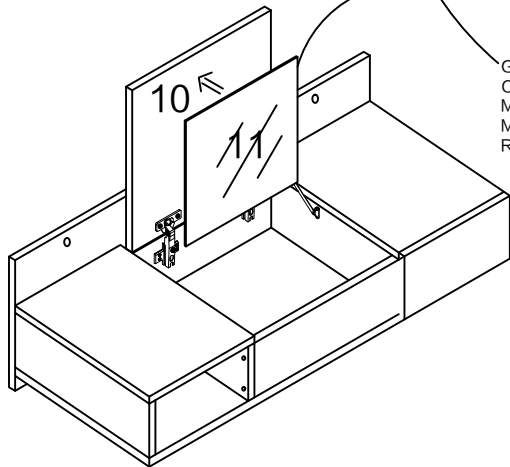
Step 5



Step 6

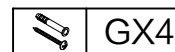
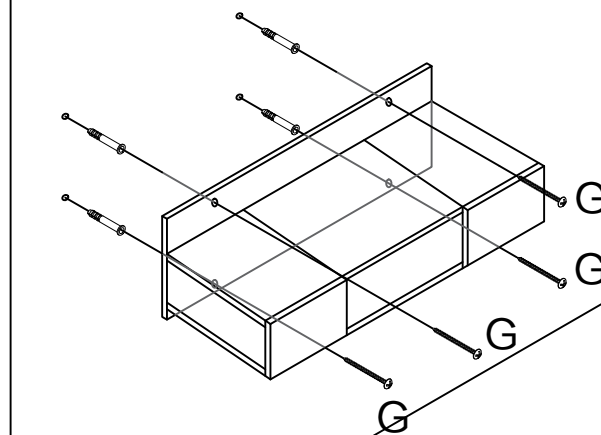


Step 7



GLUE H TO THE FOUR CORNERS AND MIDDLE OF THE MIRROR RESPECTIVELY

Step 8



complete

