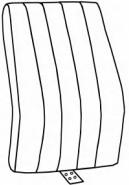

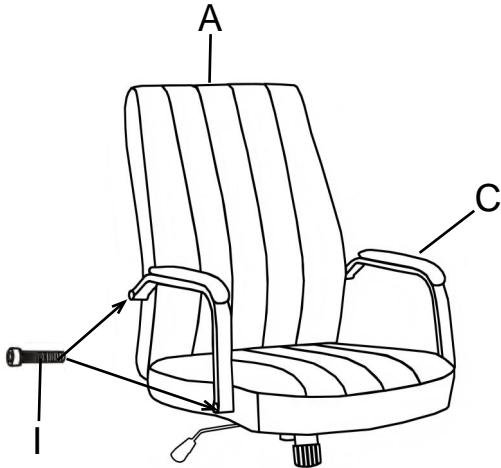
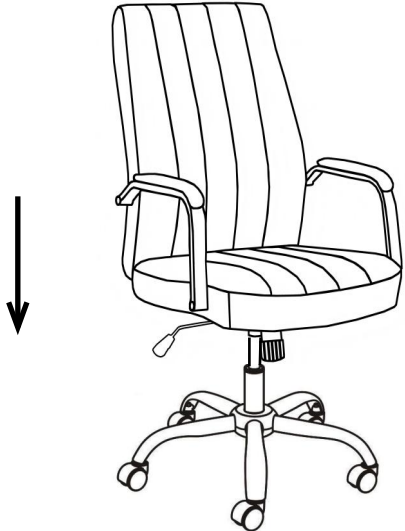


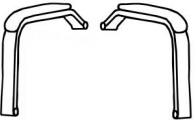

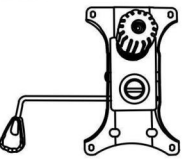



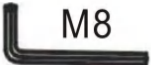


A-016B		①	②
<p>Ax1</p> 	<p>Fx1</p> 	<p>③</p> 	<p>④</p> 
<p>Bx1</p> 	<p>Gx5</p> 		
<p>Cx2</p> 	<p>Hx8</p>  <p>M6x20mm</p>		
<p>Dx1</p> 	<p>Ix4</p>  <p>M8x45mm</p>		
<p>Ex1</p> 	<p>Jx1</p>  <p>M6</p>		
	<p>Kx1</p>  <p>M8</p>		