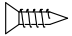
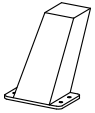
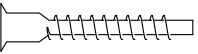
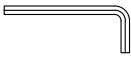
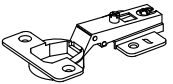



A2 x 68pcs

 M3.5 x 14 mm


L6 x 5pcs

 170 mm

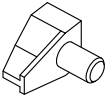
A17 x 6pcs

 M6.3 x 40 mm

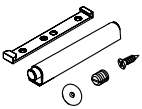
N1 x 1pcs



E8 x 2pcs

 35 mm 5/8"

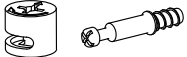
N3 x 35pcs (+-3)


E9 x 4pcs

 35 mm 7/8"

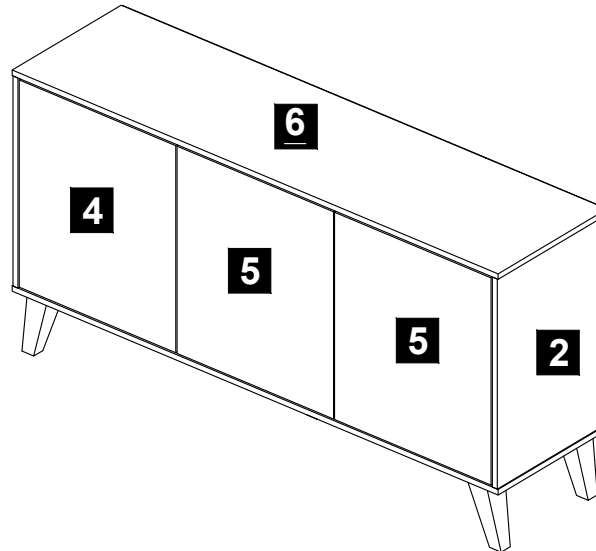
Q4 x 8pcs


E22 x 3sets


R6 x 1pcs

 570 mm

F2 x 6sets

 15 mm

COMPLETE



CAUTION

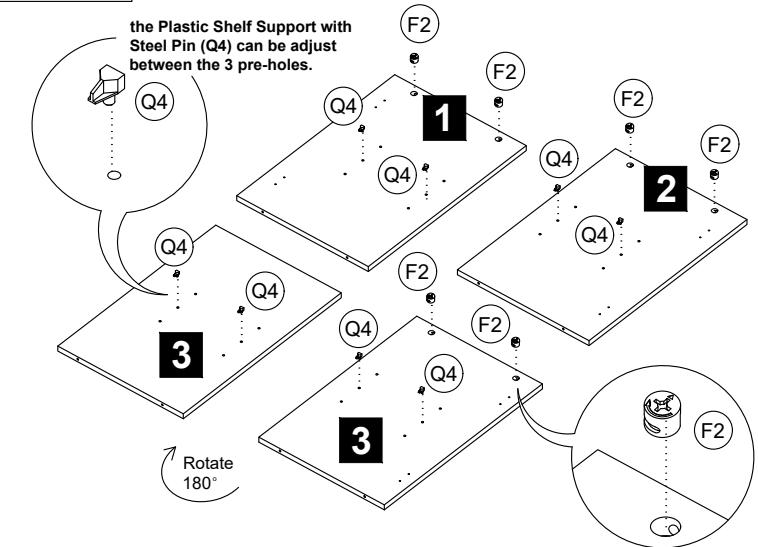
MATERIAL USE LAMINATED PARTICLE BOARD, TO CLEAN USE SOFT, DRY CLOTH. DO NOT USE DETERGENT OR CHEMICAL AVOID CONTACT WITH WATER AND DIRECT SUNLIGHT. TO BE ASSEMBLED ON A SOFT, DRY, CLEAN SMOOTH SURFACE.

USE OF POWER TOOLS TO ASSEMBLE THIS PRODUCT WILL INVALIDATE ANY CLAIM AND MAY DAMAGE THIS PRODUCT MAKING IT UNSAFE.

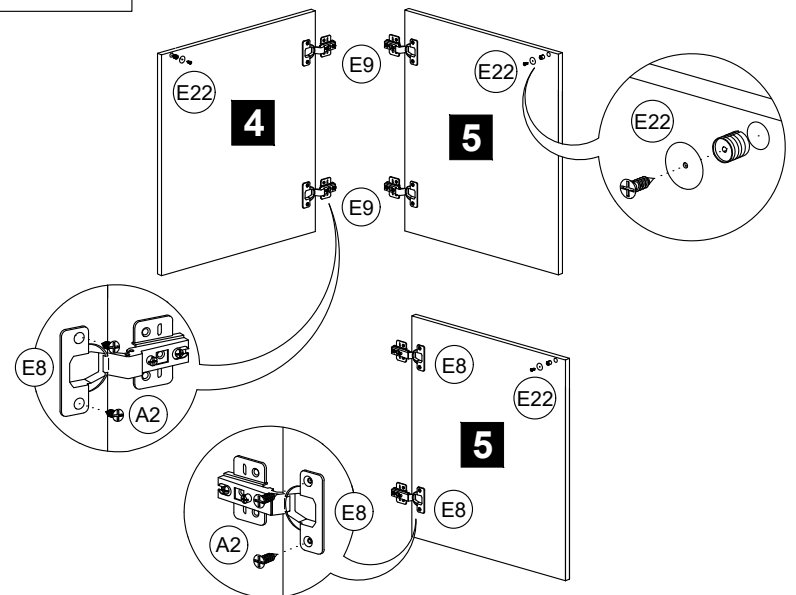


PRE - ASSEMBLY

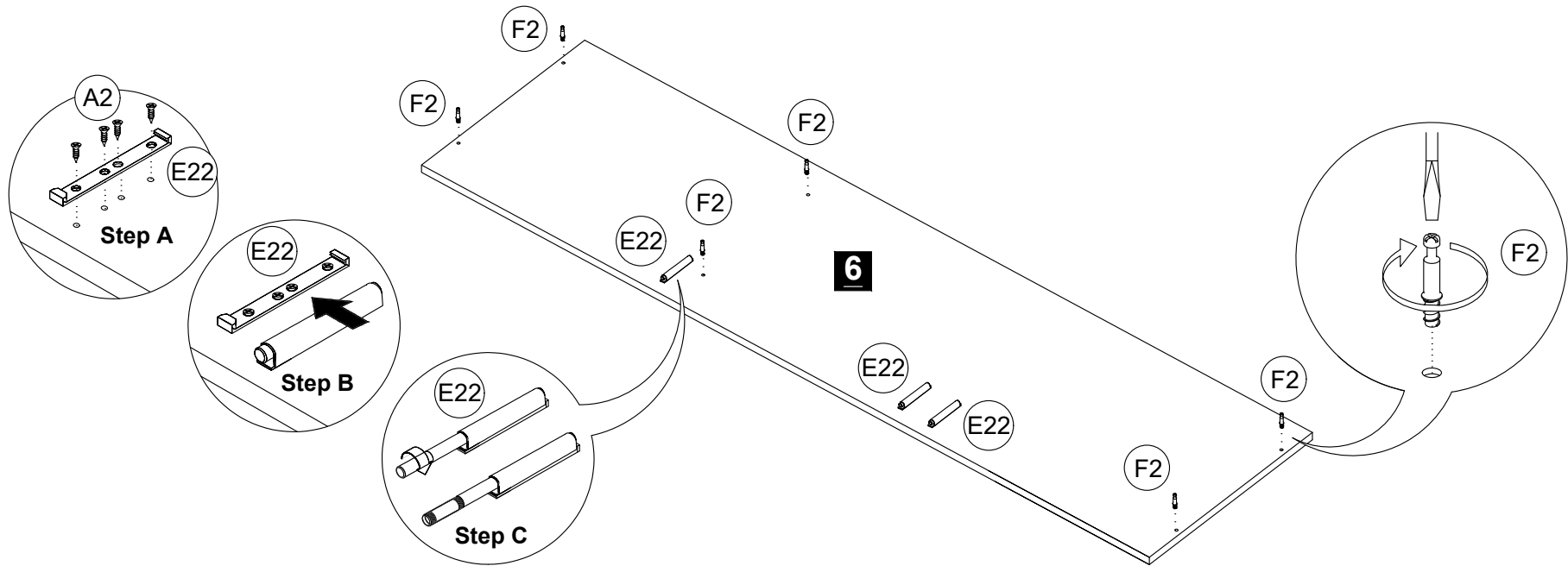
STEP 1



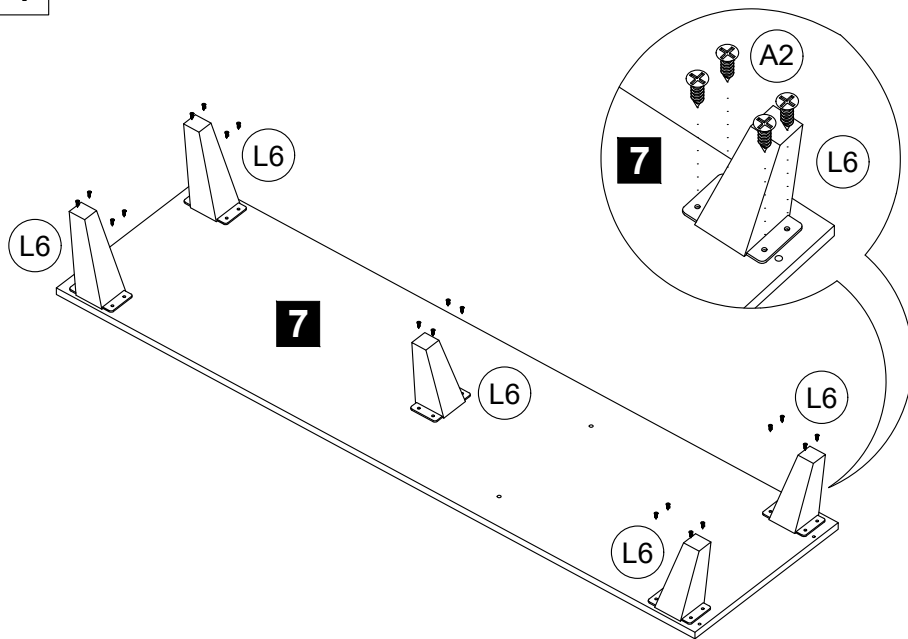
STEP 2



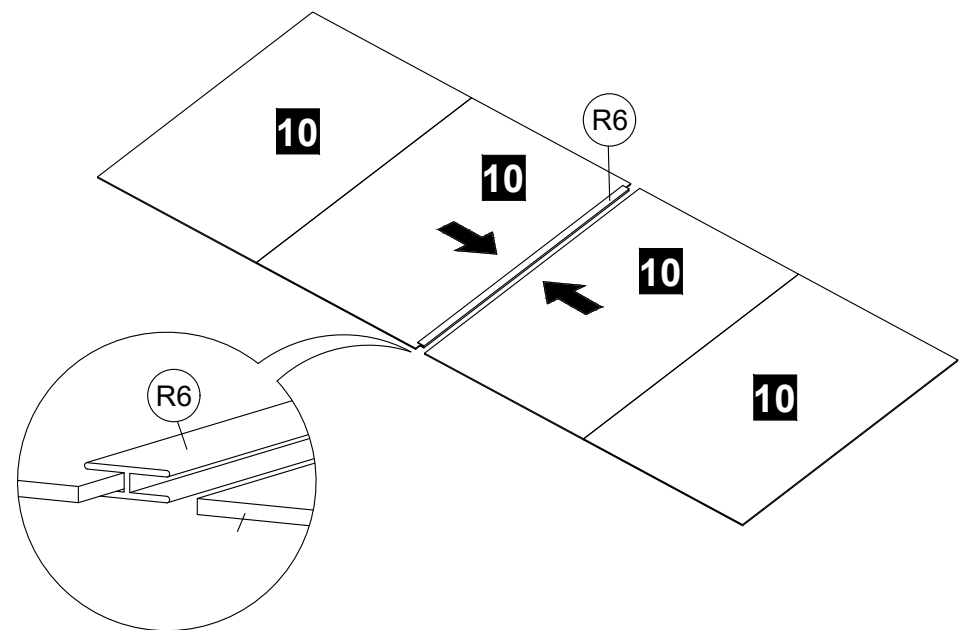
STEP 3



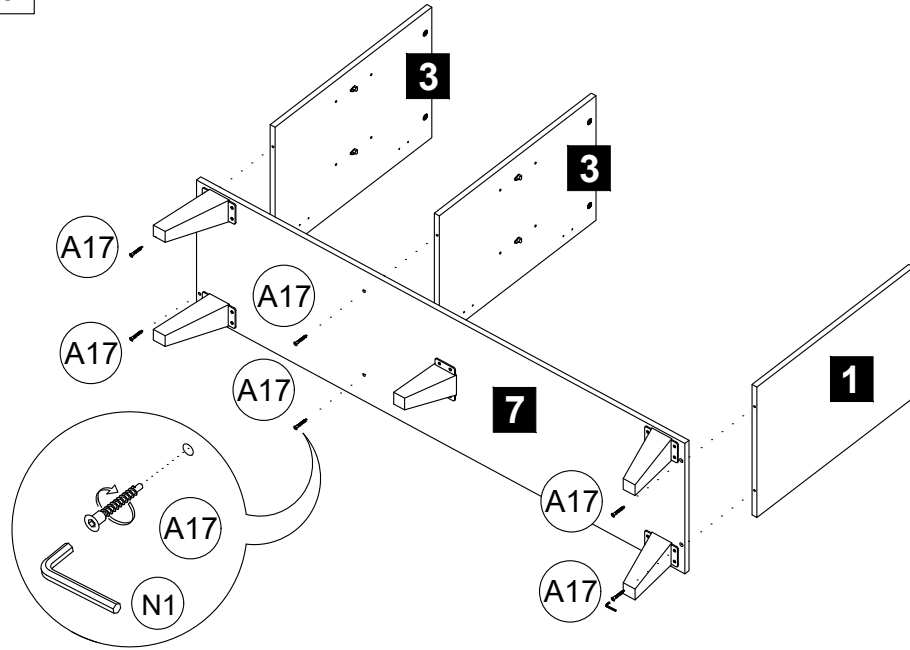
STEP 4



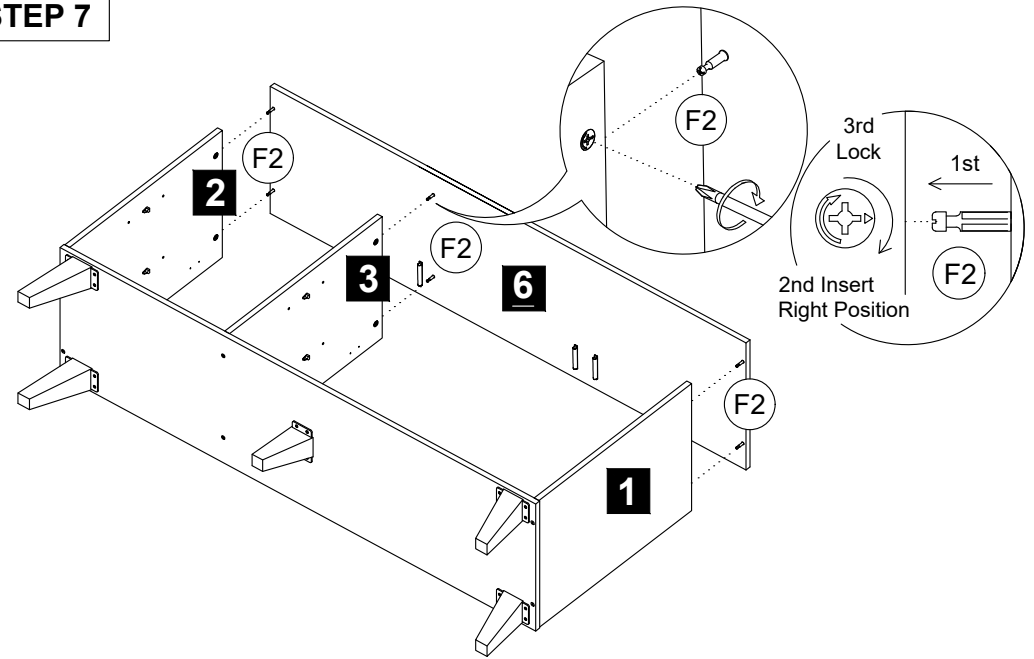
STEP 5



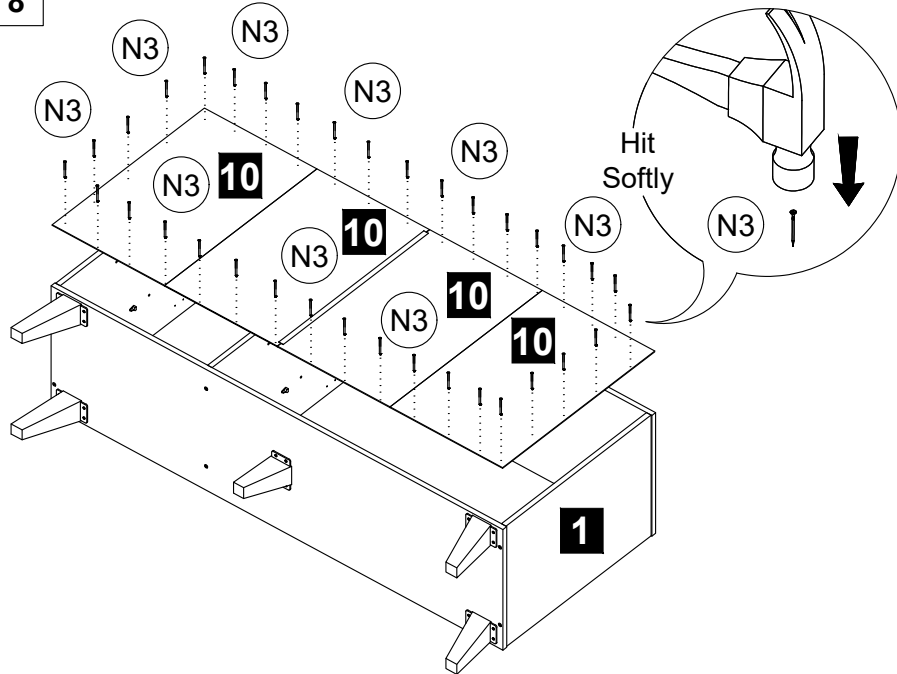
STEP 6



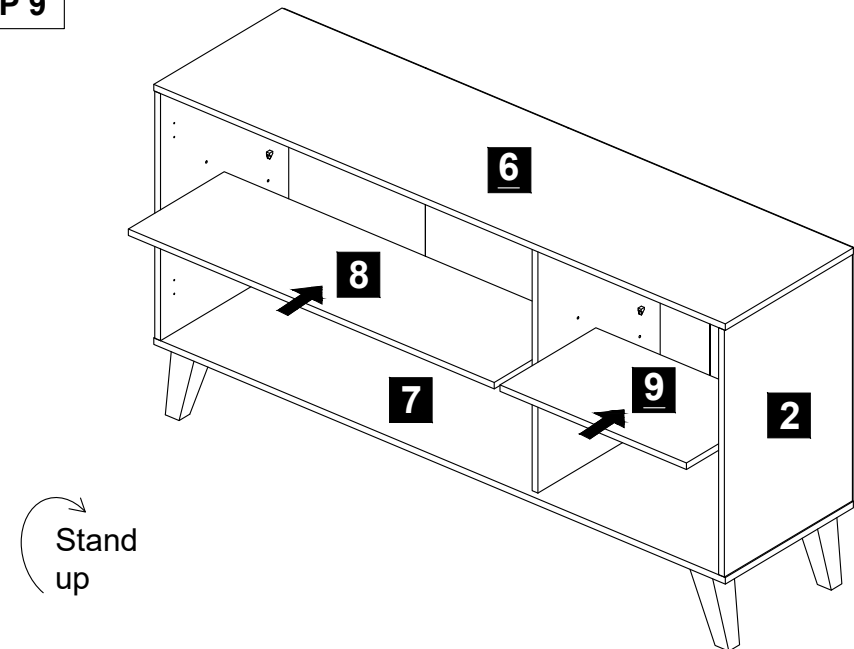
STEP 7



STEP 8



STEP 9



STEP 10

